

This document was provided by

Compu*Direct*, Inc.

As a service to our customers.

If you received this file from anywhere other than

<http://www.printermalls.com>

please let us know at

info@printermalls.com

B.1.02 Definition of Terms

Assemblies

Assemblies are parts grouped under a single description and/or part number. Generally, individual items in an assembly are not available from Okidata.

Assemblies are surrounded by broken line boxes in the diagrams.

Assemblies will say "Includes xx xx" under the Comments section of the tables.

Parts in assemblies will say "Part of xx" under the Comments section of the tables.

Blank

Okidata does not recommend stocking this item. This item should be purchased on an As Required Basis only.

The availability of this item is **NOT** guaranteed by Okidata.

Consumable

A consumable is a supply item which has a specified life and must be periodically replaced. It is purchased and installed by the end user. Okidata machines are designed to work exclusively with Okidata consumables. By using genuine Okidata consumable products, the investment made in the equipment is protected.

Document

A document is a printed item which supports the service and marketing of a product. Various documents are available from Okidata.

Drivers

Printer drivers are updated frequently. Please refer to Okilink II for the latest printer driver information.

Firmware

Firmware is revised frequently. Please refer to Okilink II for the latest firmware information.

Option

An option is a part/assembly which is added to a product. The option expands the product's functionality. An option may or may not be installed by the end user. Instructions for installation accompany each option.

Option RSPL

Okidata recommends that this part/assembly be on hand for servicing installed options.

RSPL

Okidata recommends that this part/assembly be on hand for servicing.

Technical Service Bulletins

Technical Service Bulletins (TSBs) are also referred to as Okidata's monthly mail.

The TSBs contain the latest information on firmware revisions, procedure changes, and technical information updates.

Okidata distributes the TSBs through Okilink II. The TSBs are issued monthly.

590

This part is specific to the Microline 590 printer.

591

This part is specific to the Microline 591 printer.

Both

This part is used by both the Microline 590 and Microline 591 printers.

Copyright 1997, Okidata, Division of OKI America, Inc. All rights reserved. See the OKIDATA Business Partner Exchange (BPX) for any updates to this material. (<http://bpx.okidata.com>)

B.1.03 Parts Ordering Information

Service Center Reference Guide

When a technician has successfully completed a Service Training Course for a product and the Dealer has become Service Authorized, an information package is provided to the Dealer. The Okidata Service Center Reference Guide outlines the following items.

- Responsibilities of Okidata Service Centers
- Spare parts and consumables information
- Procedures for warranty repairs
- Product Training, Certification, and Authorization
- Product Support information
- Okidata Depot information and services
- Third Party Service information
- Information about Okidata's Customer Information Center
- Okidata Service and Support telephone numbers.

The Service Center Reference Guide contains the procedures to follow for ordering parts. Please read, understand, and follow these procedures. Service Authorization for a specific product must be obtained before a Dealer can submit warranty claims.

Direct questions regarding the Service Center Reference Guide to Okidata Dealer Service. Refer to the Service Center Reference Guide for information on contacting Okidata.

Placing a Parts Order

All authorized Okidata resellers may order spare parts and consumables for Okidata products. Orders are placed through Okidata's Logistics Department.

Please refer to your Service Center Reference Guide for details on ordering parts.














You should have the following information available before you place your order.

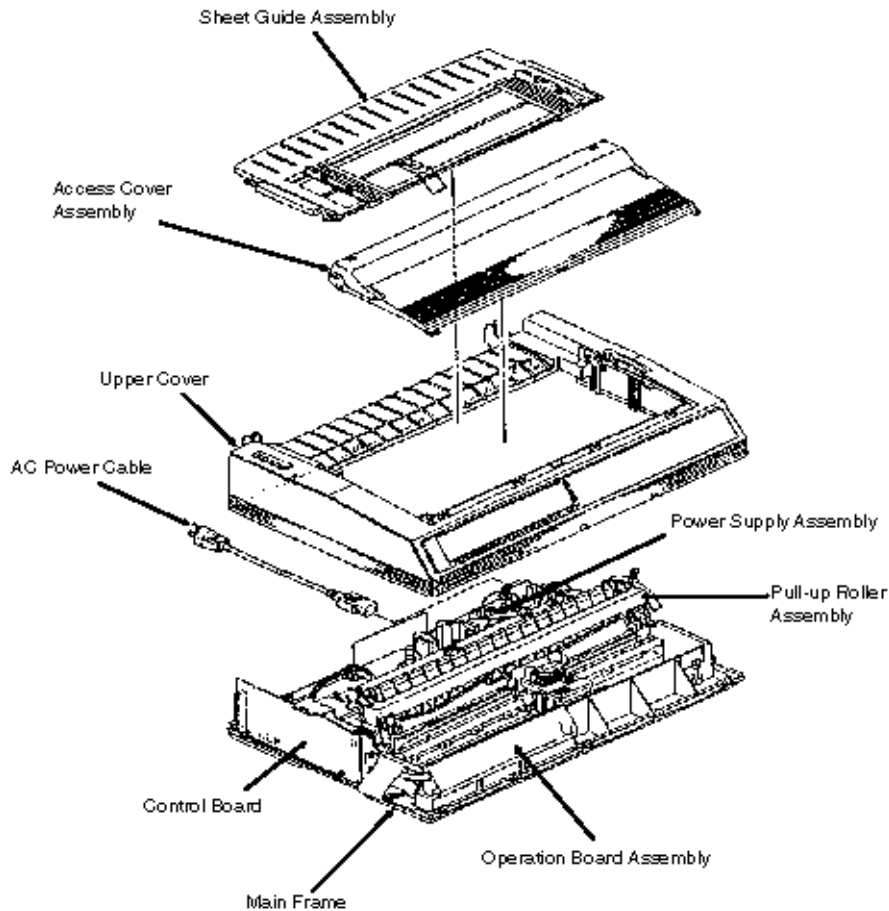
- Okidata Dealer Authorization Number
- Okidata Customer Number
- Your Purchase Order Number
- Okidata Part Number(s)

Use this Appendix, Okilink II, Faxable Facts, or contact Okidata Technical Support to find the correct part number. Refer to the Service Center Reference Guide(for information on contacting Okidata.

B.2 CHARTS

Below is an index to the illustrated parts breakdown charts.

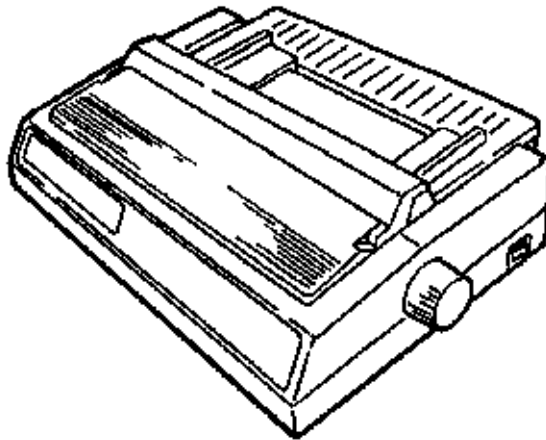
Section	Description
B.2.01 	Printer
B.2.02 	Upper Cover Assembly
B.2.03 	Printer General Assembly
B.2.04 	Printer Unit (1 of 3)
B.2.05 	Printer Unit (2 of 3)
B.2.06 	Printer Unit (3 of 3)
B.2.07 	Carriage Assembly
B.2.08 	Options
B.2.09 	Option Parts
B.2.10 	Consumables
B.2.11 	Packing Materials
B.2.12 	Documentation
B.2.13 	Service Training Kit Revision List


Board Overview

Copyright 1997, Okidata, Division of OKI America, Inc. All rights reserved. See the OKIDATA Business Partner Exchange (BPX) for any updates to this material. (<http://bpx.okidata.com>)

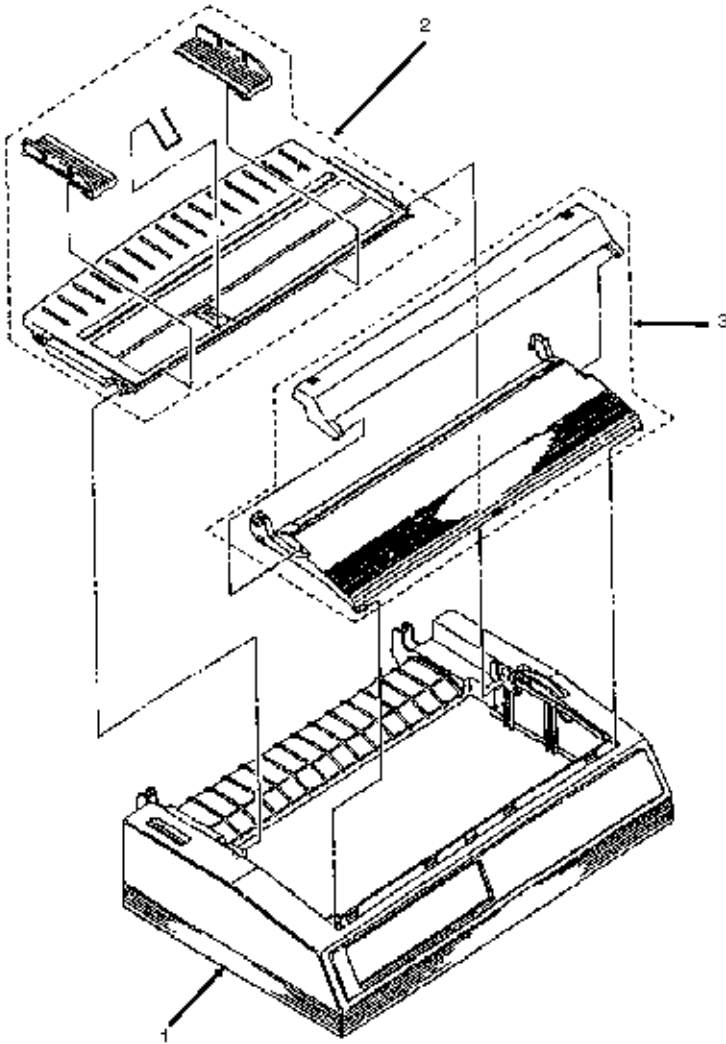
B.2.01 Printer



Part numbers are subject to change. Refer to Okilink II for current part numbers and pricing information.








Item	Okidata P/N Oki-J P/N	Description	Comments Refer to B.1.02 	Disassembly Procedure
1	62409201 N/A	Printer: ML590 Parallel (Epson/IBM Comp.) 120 V		N/A
2	62409202 N/A	Printer: ML590 Parallel (Epson/IBM Comp.) 220 V		N/A
3	62409301 N/A	Printer: ML591 Parallel (Epson/IBM Comp.) 120 V		N/A
4	62409401 N/A	Printer: ML591 Parallel (Epson/IBM Comp.) 220 V		N/A

B.2.02 Upper Cover Assembly

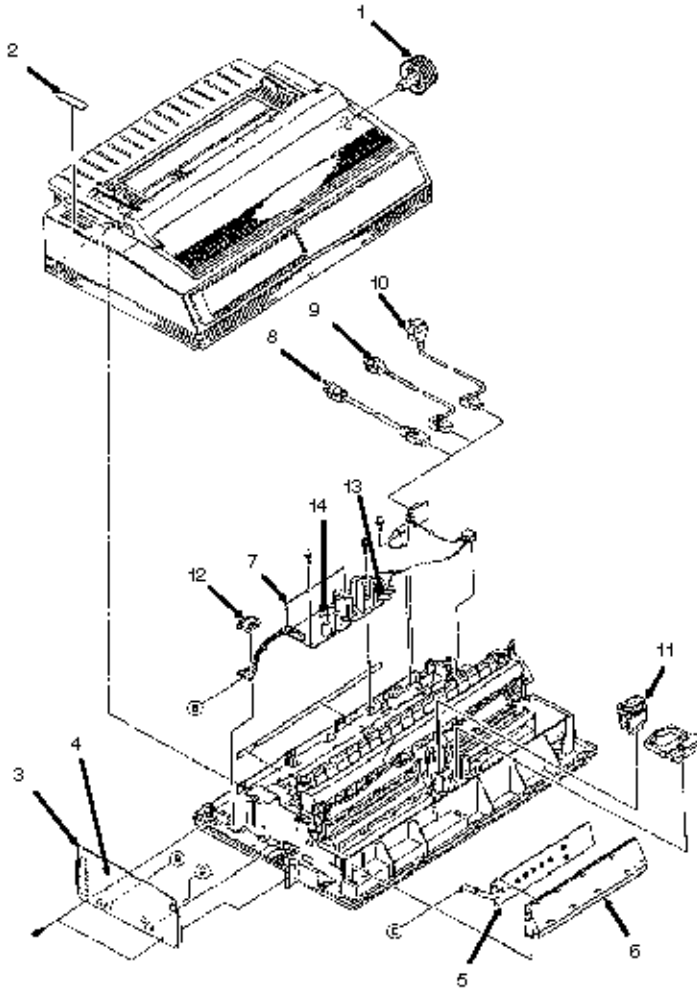


Item	Okidata P/N Oki-J P/N	Description	Comments Refer to B.1.02 	Disassembly Procedure
1	53066901 1PP4094-6501P1	Cover: Upper (Narrow)	RSPL 590	3.2.06 

1	53067001 1PP4094-7201P1	Cover: Upper (Wide)	RSPL 591	3.2.06 
2	51009401 N/A	Guide: Sheet (Narrow)	RSPL 590	3.2.06 
2	51009501 N/A	Guide: Sheet (Wide)	RSPL 591	3.2.06 
3	53067101 2PA4094-7381G1	Cover: Access (Narrow)	RSPL 590	3.2.06 
3	53067201 2PA4094-7382G1	Cover: Access (Wide)	RSPL 591	3.2.06 

Copyright 1997, Okidata, Division of OKI America, Inc. All rights reserved. See the OKIDATA Business Partner Exchange (BPX) for any updates to this material. (<http://bpx.okidata.com>)

B.2.03 Printer General Assembly



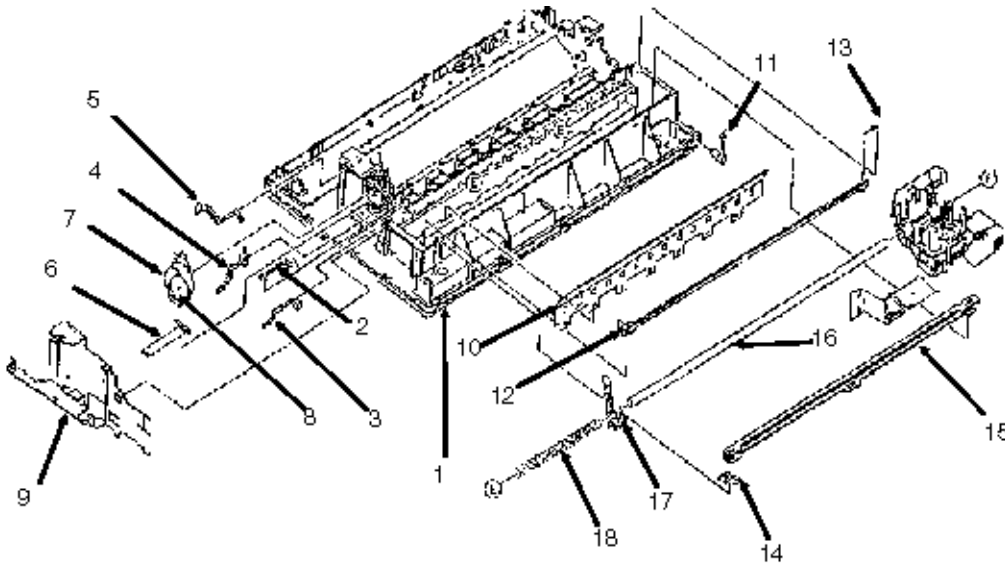
Item	Okidata P/N Oki-J P/N	Description	Comments Refer to B.1.02	Disassembly Procedure
1	53562601 2PP4094-6507P3	Knob: Platen (ML 500 Series)	RSPL Both	3.2.06
2	53067301 2PP4094-6506P2	Cover: (B) for card slot	RSPL Both	3.2.06

3	55937401 4YA4042-1514G301	PCB: AKGI (w/o ROM)	RSPL Both	3.2.07
4 *	55938301 N/A	IC: EEPROM BR93LC46A	RSPL Both	3.2.07
5	55937501 4YA4042-1516G1	PCB: LEOP (Operator. Panel)	RSPL Both	3.2.09
6	53562701 3PP4025-3670G1	Panel: Operator	RSPL Both	3.2.09
7	56412101 4YB4049-1707P1	Power Supply 120V	RSPL 590	3.2.08
7	56412102 N/A	Power Supply 120V	RSPL 591	3.2.08
7	56412201 4YB4049-1708P1	Power Supply 230-240V	Option RSPL 590	3.2.08
7	56412202 4YB4049-1708P2	Power Supply 230-240V	Option RSPL 591	3.2.08
8	56609701 3YS4011-1315P1	Cord: AC	RSPL Both	3.2.01
9	56624101 3YS4011-1265P1	Cord: AC (220V) (ML) Right Ang	Option RSPL Both	3.2.01
10	56624401 3YS4011-1268P1	Cord: AC 240V	Option RSPL Both	3.2.01
11	50217201 4YA4023-2601G1	Assembly: Printhead	RSPL Both	3.2.02
12	50707501 4PP4025-3621P1	Clamp: Cord	RSPL Both	3.2.08
13	56305901 540A2036M1502	Fuse: (GGS 5) 120V	RSPL Both	3.2.08
13	56306001 4YB4021-1146P1	Fuse: 3.15 A (for 230/240V)	Option RSPL Both	3.2.08

14	56302901 540A2036M1252	Fuse: 2.5A 120V	RSPL Both	3.2.08
----	---------------------------	-----------------	-----------	--------

Copyright 1997, Okidata, Division of OKI America, Inc. All rights reserved. See the OKIDATA Business Partner Exchange (BPX) for any updates to this material. (<http://bpx.okidata.com>)

B.2.04 Printer Unit (1 of 3)



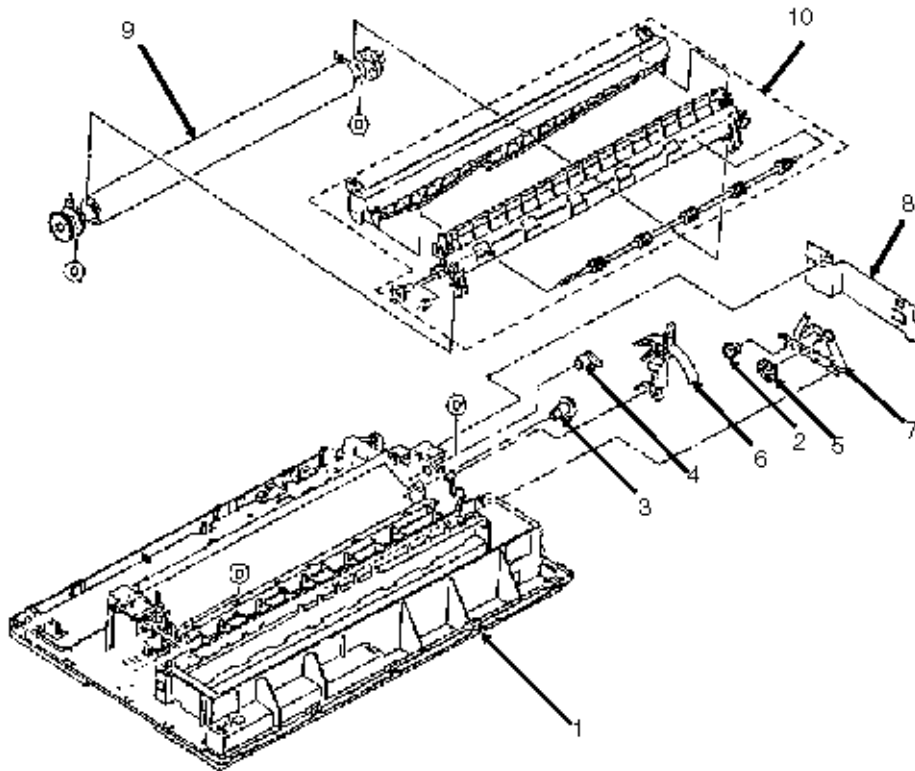
Item	Okidata P/N Oki-J P/N	Description	Comments Refer to B.1.02	Disassembly Procedure
1	53563101 3PA4025-3720G1	Frame: Main (Narrow)	RSPL 590	3.2.30
1	53563201 3PA4025-3721G1	Frame: Main (Wide)	RSPL 591	3.2.30
2	50804601 3PP4025-3315P1	Lever: Bottom Paper End	RSPL Both	3.2.27
3	50804701 3PP4025-3322P1	Lever: Bottom Sensor	RSPL Both	3.2.27
4	50804801 3PP4025-3321P1	Lever: Rear Sensor	RSPL Both	3.2.18
5	50804902 4PP4025-3323P2	Lever: Sensor Cut Sheet/Continuous	RSPL Both	3.2.18

6	56627201 3PB4025-3356P1	Cord: Connection Line Feed	RSPL Both	3.2.21
7	56510301 N/A	Motor: Line Feed (Assembly)	RSPL Both	3.2.21
8	51228401 3PB4055-2887P1	Gear: Line Feed Idle	RSPL Both	3.2.21
9	51010301 3PA4025-3387G1	Plate: Left Ground	RSPL Both	3.2.16
10	50923001 3PP4025-3320P1	Spring: Leaf (Narrow)	RSPL 590	3.2.26
10	50923101 3PP4025-3507P1	Spring: Leaf (Wide)	RSPL 591	3.2.26
11	53067701 3PP4025-3380P1	Cam: Adjust	RSPL Both	3.2.15
12	53563301 3PP4025-3376P1	Rack: Space (Narrow)	RSPL 590	3.2.13
12	53563401 3PP4025-3522P1	Rack: Space (Wide)	RSPL 591	3.2.13
13	50923501 4PB4025-3377P1	Spring: Tension (Space Rack)	RSPL Both	3.2.13
14	51009701 4PP4025-3378P1	Guide: Rail Ground Clip	RSPL Both	3.2.15
15	51009801 3PP4025-3379P1	Guide: Rail (Narrow)	RSPL 590	3.2.15
15	51009901 3PP4025-3523P1	Guide: Rail (Wide)	RSPL 591	3.2.15
16	53563501 4PP4025-3381P1	Shaft: Carriage (Narrow)	RSPL 590	3.2.25
16	53563502 4PP4025-3381P2	Shaft: Carriage (Wide)	RSPL 591	3.2.25

17	53067601 4PA4025-3382G1	Protector: Support (Assembly)	RSPL Both	3.2.25
18	50923601 4PB4025-3385P1	Spring: Support Protect Reset	RSPL Both	3.2.25

Copyright 1997, Okidata, Division of OKI America, Inc. All rights reserved. See the OKIDATA Business Partner Exchange (BPX) for any updates to this material. (<http://bpx.okidata.com>)

B.2.05 Printer Unit (2 of 3)



Item	Okidata P/N Oki-J P/N	Description	Comments Refer to B.1.02	Disassembly Procedure
1	53563101 3PA4025-3720G1	Frame: Main (Narrow)	RSPL 590	3.2.30
1	53563201 3PA4025-3721G1	Frame: Main (Wide)	RSPL 591	3.2.30
2	51228001 4PP4025-3340P1	Gear: Change	RSPL Both	3.2.29
3	51228101 3PP4025-3341P1	Gear: Tractor	RSPL Both	3.2.29

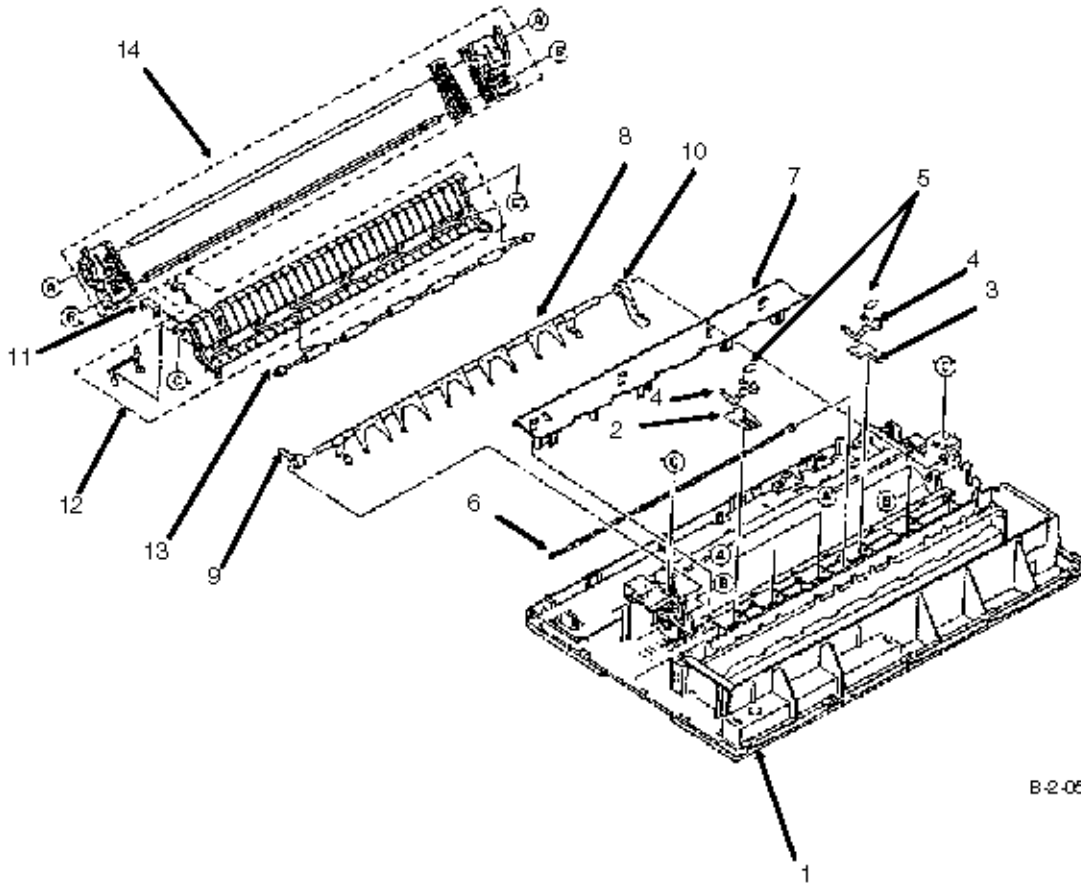
4	50805301 3PP4025-3352P1	Cam: Release	RSPL Both	3.2.24 
5	51228201 4PP4025-3353P1	Gear: Idle	RSPL Both	3.2.23 
6	50805101 2PP4025-3354P3	Lever: Change	RSPL Both	3.2.23 
7	50923201 3PP4025-3355P1	Spring: Reset	RSPL Both	3.2.22 
8	51010201 3PP4025-3386P1	Plate: Right Ground	RSPL Both	3.2.17 
9	50098301 3PA4025-3370G1	Platen Assembly (Narrow)	RSPL 590	3.2.19 
9	50098302 N/A	Platen Assembly (Wide)	RSPL 591	3.2.19 
10	53341501 3PA4025-3440G2	Roller: Pull Up Assembly (Narrow)	RSPL 590	3.2.05 
10	53341601 3PA4025-3530G2	Roller: Pull Up Assembly (Wide)	RSPL 591	3.2.05 

Copyright 1997, Okidata, Division of OKI America, Inc. All rights reserved. See the OKIDATA Business Partner Exchange (BPX) for any updates to this material. (<http://bpx.okidata.com>)





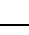
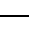
Service Guide ML590/ML591
Chapter B Illustrated Parts Listing



B.2.06 Printer Unit (3 of 3)



B-2-05.1

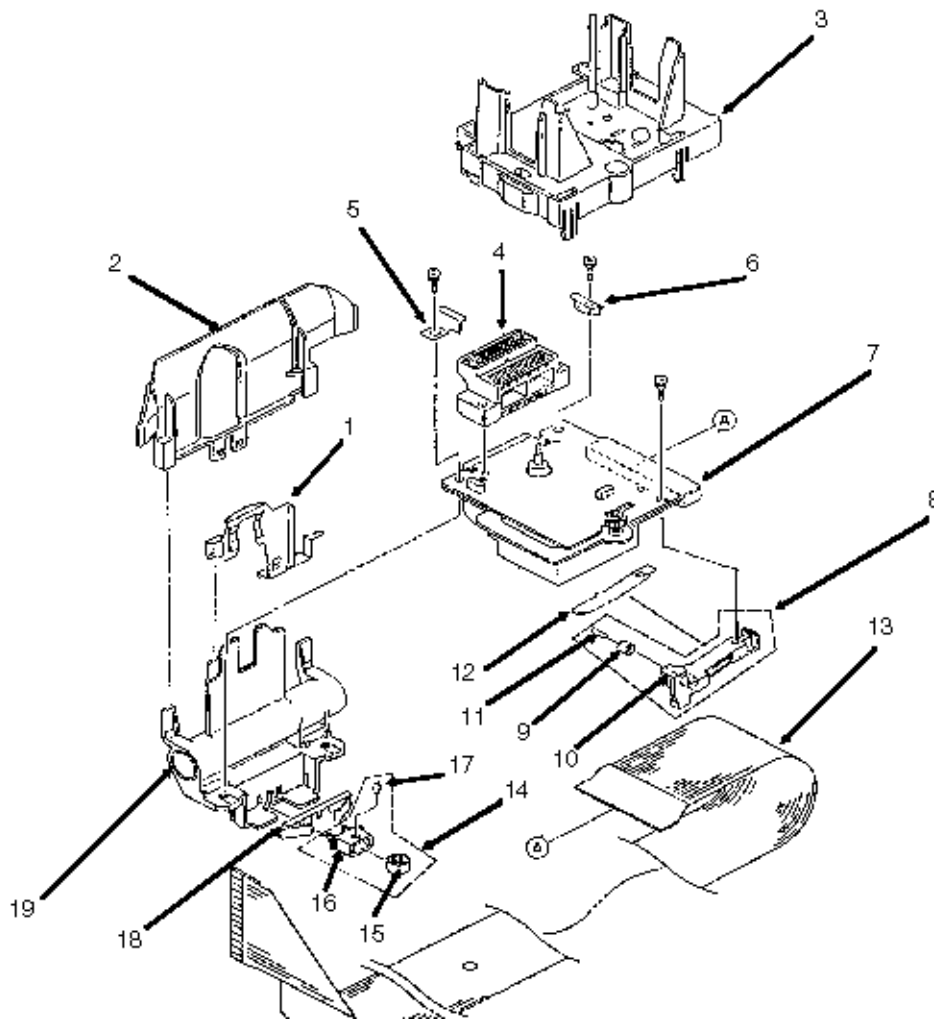
Item	Okidata P/N Oki-J P/N	Description	Comments Refer to B.1.02	Disassembly Procedure
1	53563101 3PA4025-3720G1	Frame: Main (Narrow)	RSPL 590	3.2.30
1	53563201 3PA4025-3721G1	Frame: Main (Wide)	RSPL 591	3.2.30
2	50922901 4PP4025-3316P1	Spring: Front Pressure (Narrow)	RSPL 590	3.2.28

2	50922901 4PP4025-3316P1	Spring: Front Pressure (Narrow)	RSPL 590	3.2.28 
3	50922801 4PP4025-3324P1	Spring: Front Pressure (Wide)	RSPL 591	3.2.28 
4	53341101 4PP4025-3317P1	Holder: Front Roller	RSPL Both	3.2.28 
5	53341202 4PP4025-3327G1	Roller: Front Pressure	RSPL Both	3.2.28 
6	51227801 3PP4025-3318P1	Shaft: Front Release Gear (Narrow)	RSPL 590	3.2.27 
6	51227901 3PP4025-3505P1	Shaft: Front Release Gear (Wide)	RSPL 591	3.2.27 
7	50097301 N/A	Pan: Paper (Narrow)	RSPL 590	3.2.27 
7	50097401 1PP4025-3506P2	Pan: Paper (Wide)	RSPL 591	3.2.27 
8	50923301 3PP4025-3346G1	Spring: Pressure (Narrow)	RSPL 590	3.2.24 
8	50923401 3PP4025-3511G1	Spring: Pressure (Wide)	RSPL 591	3.2.24 
9	50805201 4PP4025-3351P1	Lever: Switch (Cut Sheet/Continuous)	RSPL Both	3.2.24 
10	51228301 4PP4025-3350P1	Arm: Front Release Gear	RSPL Both	3.2.24 
11	50924701 4PP4025-3365P1	Spring: Lock	RSPL Both	3.2.20 
12	50097701 3PA4025-3360G2	Paper Chute Assembly (Narrow)	RSPL 590	3.2.20 
12	50097801 3PA4025-3515G2	Paper Chute Assembly (Wide)	RSPL 591	3.2.20 
13	53341301 3PB4025-3364P1	Roller: Pressure Rear (Narrow)	RSPL 590	3.2.20 
13	53341401 3PB4025-3517P1	Roller: Pressure Rear (Wide)	RSPL 591	3.2.20 









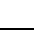
14	50097501 3PA4025-3330G1	Tractor: Assembly (Narrow)	RSPL 590	3.2.29 
14	50097502 3PA4025-3330G2	Tractor: Assembly (Wide)	RSPL 591	3.2.29 



Copyright 1997, Okidata, Division of OKI America, Inc. All rights reserved. See the OKIDATA Business Partner Exchange (BPX) for any updates to this material. (<http://bpx.okidata.com>)

B.2.07 Carriage Assembly



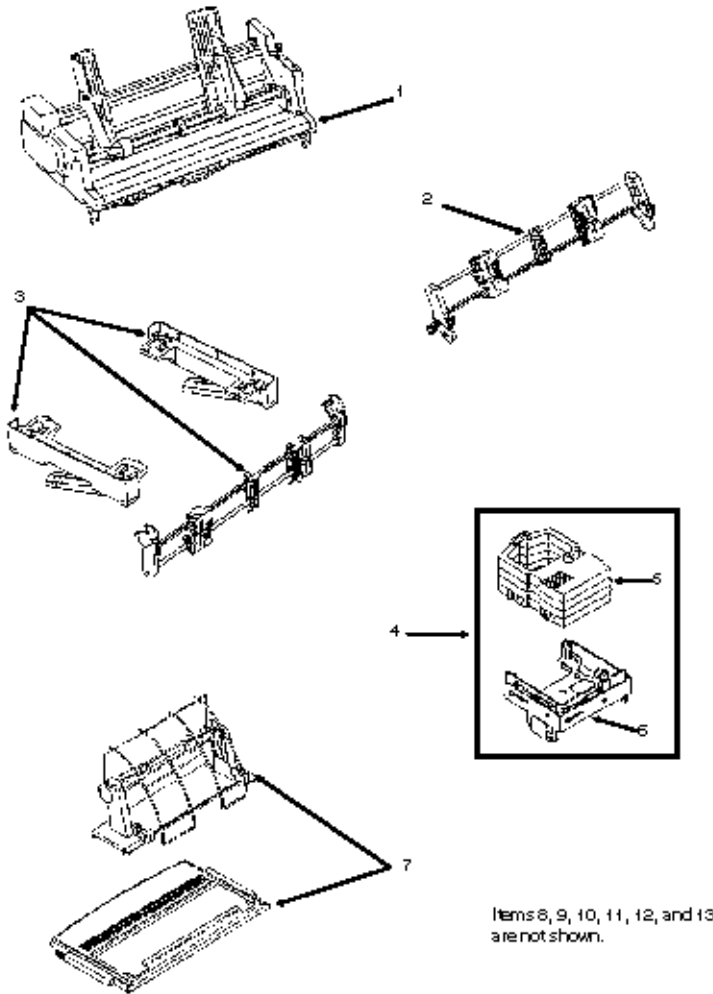
Item	Okidata P/N Oki-J P/N	Description	Comments Refer to B.1.02	Disassembly Procedure
1	50707401 3PP4025-3431P1	Clamp: Head	RSPL Both	3.2.03
2	53562801 3PP4025-3430P1	Protector: Ribbon	RSPL Both	3.2.03


3	51228501 3PA4025-3406G1	Gear: Case (Assembly)	RSPL Both	3.2.04 
4	56729601 224A1285P0400	Connector: PC HD40	RSPL Both	3.2.10 
5	53343001 4PP4025-3433P1	Holder: Connector (L)	RSPL Both	3.2.11 
6	53343101 4PP4025-3434P1	Holder: Connector (R)	RSPL Both	3.2.11 
7	56510401 4YA4025-3250G1	Motor: Space (Assembly)	RSPL Both	3.2.11 
8	53343301 4PA4025-3719G1	Guide: Roller Assembly	Both	3.2.11 
9	53341901 4PP4025-3398P1	Roller: Guide	RSPL Both	3.2.11 
10	53342001 3PP4025-3399P1	Holder: Guide Roller	RSPL Both	3.2.11 
11	N/A N/A	Pin	Both	3.2.11 
12	N/A 4PP4025-3401P1	Guide Roller Spring	Both	3.2.11 
13	56627301 2PU4007-1193P1	Cable: Carriage (Narrow)	RSPL 590	3.2.12 
13	56627302 N/A	Cable: Carriage (Wide)	RSPL 591	3.2.12 
14	53343201 4PA4025-3718G1	Assembly: Roller/Holder Backup	Both	3.2.14 
15	53341701 4PP4025-3392P1	Roller: Back Up	RSPL Both	3.2.14 
16	53341801 3PP4025-3393P1	Holder: Back Up Roller	RSPL Both	3.2.14 
17	N/A N/A	Pin	Both	3.2.14 

18	N/A 4PP4025-3397P1	Backup Roller Holder Spring	Both	3.2.14 
19	50098901 4PP4025-3394G1	Carriage: Frame Set	RSPL Both	3.2.25 

Copyright 1997, Okidata, Division of OKI America, Inc. All rights reserved. See the OKIDATA Business Partner Exchange (BPX) for any updates to this material. (<http://bpx.okidata.com>)

B.2.08 Options



Item	Okidata P/N Oki-J P/N	Description	Comments Refer to B.1.02 	Disassembly Procedure
1	70022501 N/A	Kit: Single Bin CSF Narrow	Option 590	N/A
1	70022701 N/A	Kit: Single Bin CSF Wide	Option 591	N/A

2	70023001 N/A	Kit: Pull Tractor Narrow	Option 590	N/A
2	70023201 N/A	Kit: Pull Tractor Wide	Option 591	N/A
3	70022901 N/A	Kit: Push Tractor (Bottom) Narrow	Option 590	N/A
3	70023101 N/A	Kit: Push Tractor (Bottom) Wide	Option 591	N/A
4	52106003 N/A	Color Kit (Incl color ribbon and ribbon shift bracket)	Option Both	N/A
5	52106002 N/A	Ribbon: Color	Consumable Both	N/A
6	51709101 3PA4025-3581G1	Bracket: Ribbon Shift (Color)	Option RSPL Both	N/A
7	70023301 N/A	Kit: Roll Paper Stand	Option 590	N/A
8	70016301 N/A	Buffer Expansion Card	Option Both	N/A
9	70000803 N/A	Kit: Parallel Interface Plug'n'Play Accessory	Option Both	N/A
10	70012801 N/A	Kit: RS232-C Serial Interface	Option Both	N/A
11	56412201 4YB4049-1708P1	Power Supply 230-240V	Option RSPL 590	3.2.08 
11	56412202 4YB4049-1708P2	Power Supply 230-240V	Option RSPL 591	3.2.08 
12	56624101 3YS4011-1265P1	Cord: AC (220V) (ML) Right Ang	Option RSPL Both	3.2.01 
13	56624401 3YS4011-1268P1	Cord: AC 240V	Option RSPL Both	3.2.01 

Copyright 1997, Okidata, Division of OKI America, Inc. All rights reserved. See the OKIDATA Business Partner Exchange (BPX) for any updates to this material. (<http://bpx.okidata.com>)




Service Guide ML590/ML591

Chapter B Illustrated Parts Listing

B.2.09 Option Parts

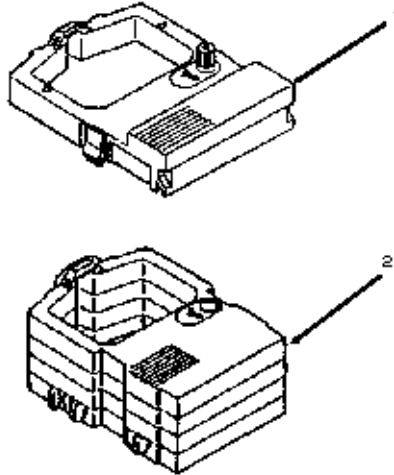
Item	Okidata P/N Oki-J P/N	Description	Comments Refer to B.1.02 	Disassembly Procedure
1	50097901 N/A	Tractor: Pull and Bottom Assembly (Right)	Option RSPL Both	N/A
2	50098001 4PA4025-3608G1	Tractor: Pull and Bottom Assembly (Left)	Option RSPL Both	N/A
3	50098501 2PA4094-6510G3	Stand: Bottom Push (Right)	Option RSPL Both	N/A
4	50098502 2PA4094-6510G4	Stand: Bottom Push (Left)	Option RSPL Both	N/A
5	50098701 4PP4094-7385G1	Knife: Paper (N) Bottom Push Tractor	Option RSPL 590	N/A
5	50098801 4PP4094-7386G1	Knife: Paper (W) Bottom Push Tractor	Option RSPL 591	N/A
6	50098101 2PP4094-7383G1	Tractor: Cover Assembly (N) Pull Tractor	Option RSPL 590	N/A
6	50098201 2PP4094-7384G1	Tractor: Cover Assembly (W) Pull Tractor	Option RSPL 591	N/A
7	53067401 1PP4053-2574P1	Cover: Side (Left) Cut-Sheet Feeder	Option RSPL Both	N/A
8	53067501 1PP4053-2575P1	Cover: Side (Right) Cut-Sheet Feeder	Option RSPL Both	N/A




9	53563001 4PP4053-2547G1	Shoe: Brake Cut-Sheet Feeder	Option RSPL Both	N/A
10	55937301 4YA4050-3026G1	PCB: NCSF Cut-Sheet Feeder	Option RSPL Both	N/A
11	56627501 3YS4011-5120G1	Cable: CSF Cut-Sheet Feeder	Option RSPL Both	N/A
12	51010001 1PP4053-2570P2	Guide: Front Sheet (N) Cut-Sheet Feeder	Option RSPL 590	N/A
12	51010101 1PP4053-2571P2	Guide: Front Sheet (W) Cut-Sheet Feeder	Option RSPL 591	N/A
13	56510501 3PB4053-2560P1	Motor Pulse Cut-Sheet Feeder	Option RSPL Both	N/A
14	53562901 1PP4053-2576P1	Supporter: Front Sheet (N) Cut-Sheet Feeder	Option RSPL 590	N/A
14	53480901 1PP4043-1891P4	Supporter: Front Sheet (W) Cut-Sheet Feeder	Option RSPL 591	N/A
15	50062801 4PB4053-1705G1	Roller: Hopping (L.H.) Cut-Sheet Feeder	Option RSPL Both	N/A
16	50062802 4PB4053-1705G2	Roller: Hopping (R.H.) Cut-Sheet Feeder	Option RSPL Both	N/A
17	53321501 3PB4025-1941P1	Support: Rear Sheet Cut-Sheet Feeder	Option RSPL Both	N/A
18	53448501 4PB4025-1914P1	Sheet: Friction Cut-Sheet Feeder	Option RSPL Both	N/A
19	56306001 4YB4021-1146P1	Fuse: 3.15 A for 230/240V Power Supply	Option RSPL Both	3.2.08 

20	55038901 4YA4021-1050G1	PCB: LXHI (RS232-C)	Option RSPL Both	N/A
----	----------------------------	------------------------	---------------------	-----

Copyright 1997, Okidata, Division of OKI America, Inc. All rights reserved. See the OKIDATA Business Partner Exchange (BPX) for any updates to this material. (<http://bpx.okidata.com>)

B.2.10 Consumables




Item	Okidata P/N Oki-J P/N	Description	Comments Refer to B.1.02 	Disassembly Procedure
1	52106001 N/A	Ribbon: Black	Consumable Both	3.2.02 
2	52106002 N/A	Ribbon: Color	Consumable Both	3.2.02 



Service Guide ML590/ML591

Chapter B Illustrated Parts Listing

B.2.11 Packing Materials

Item	Okidata P/N Oki-J P/N	Description	<u>Comments</u> <u>Refer to</u> <u>B.1.02</u> 	Disassembly Procedure
1	53564901 N/A	Box: Graphic	RSPL 590	N/A
1	53565001 N/A	Box: Graphic	RSPL 591	N/A
2	53565401 N/A	Foam: Molded (Left)	RSPL Both	N/A
3	53565402 N/A	Foam: Molded (Right)	RSPL Both	N/A



Service Guide ML590/ML591

Chapter B Illustrated Parts Listing

B.2.12 Documentation

- * To order Marketing Literature, complete an Okidata Marketing Literature Order Form. Fax the completed form to Okidata Marketing Communications.
- * * Obtain this form by faxing a request to Okidata Marketing Communications. Refer to the Service Center Reference Guide for information on contacting Okidata.

Item	Okidata P/N Oki-J P/N	Description	<u>Comments</u> <u>Refer to</u> <u>B.1.02</u> 	Disassembly Procedure
1#	58229001 N/A	Kit: ML590/591 Service Training	Document Both	N/A
1#	58229002 N/A	Kit: ML590/591 Service Training	Document Both	N/A
1#	58229003 N/A	Kit: ML590/591 Service Training	Document Both	N/A
2	58233302 N/A	Package: User's Documentation	Document Inc. 3 4 5 6 7	N/A
3	52033001 N/A	Card: QA Reply	Document Part of 2	N/A
4	53436029 N/A	Bag: Poly 9" x 12"	Document Part of 2	N/A
5	52050806 N/A	Card: Reply (OkiSmart)	Document Part of 2	N/A
6	58078001 N/A	Card: Registration	Document Part of 2	N/A
7	59254703 N/A	Handbook: Printer	Document Part of 2	N/A
8	59254201 N/A	Manual: Maintenance	Document Both	N/A

9	59254301 N/A	Manual: Troubleshooting	Document Both	N/A
10	59253901 N/A	Product Specifications	Document Both	N/A
11	N/A N/A	Okidata Service Center Reference Guide	Document	N/A
12	53547501 N/A	Okidata Support 3-Ring Binder	Document	N/A
13	58067201 N/A	ABCD Warranty Claim Forms (Pkg of 20)	Document	N/A
14	58052401 N/A	Warranty Summary Forms (Pkg of 20)	Document	N/A
15	N/A N/A	Printer Drivers	Refer to Okilink	N/A
16	N/A N/A	Product Updates	Document Refer to Okilink	N/A
17	N/A N/A	Recommended Spare Parts List	Document Refer to Okilink	N/A
18	N/A N/A	Software	Refer to Okilink	N/A
19	N/A N/A	Technical Service Bulletins	Document Refer to Okilink	N/A
20 *	N/A N/A	Marketing Literature	Document	N/A
21 **	N/A N/A	Okidata Marketing Literature Order Form	Document	N/A



Service Guide ML590/ML591


Chapter B Illustrated Parts Listing

B.2.13 Service Training Kit Revision List

P/N 58229001 Microline 590/591 Service Training Kit

This kit was replaced by P/N 58229001.

Items in the training kit (except for the Printer Handbook) are **NOT** available separately.

Item	Okidata P/N Oki-J P/N	Description	Comments Refer to B.1.02 	Disassembly Procedure
1 A	58229001 N/A	Kit: ML590/591 Service Training	Document Both	N/A
2 A	52062701 N/A	Label: Box	Document	N/A
3 A	58229101 N/A	Administration Package	Document	N/A
4 A	58088001 N/A	Envelope: Administration Package	Document	N/A
5 A	58088101 N/A	Cover Letter	Document	N/A
6 A	59256201 N/A	Training Guide	Document	N/A
7 A	58088201 N/A	Printhead Gap Adjustment Material	Document	N/A
8 A	58088301 N/A	Certification Test	Document	N/A
9 A	58088401 N/A	Certification Test Answer Sheet	Document	N/A
10 A	58088501 N/A	Course Critique	Document	N/A
11 A	58088601 N/A	Envelope: Pre-Printed Return	Document	N/A

12 A	59256301 N/A	Service Handbook	Document	N/A
13 A	59256401 N/A	User's Documentation	Document	N/A
14 A	52033001 N/A	Card: QA Reply	Document Both	N/A
15 A	52050806 N/A	Card: Reply (OkiSmart)	Document Both	N/A
16 A	58078001 N/A	Card: Registration	Document Both	N/A
17 A	59254703 N/A	Handbook: Printer	Document Both	N/A
18 A	57519501 N/A	Service Videotape	Document	N/A
19 A	52062702 N/A	Label: Service Videotape Case	Document	N/A
20 A	52062703 N/A	Label: Service Videotape Front	Document	N/A
21 A	52062704 N/A	Label: Service Videotape Spine	Document	N/A
22 A	57517101 N/A	Red Vinyl Case (VHS Videotape)	Document	N/A
23 A	53567001 N/A	Storage Box	Document	N/A
24 A	53567101 N/A	Cardboard Sleeve	Document	N/A

P/N 58229002 Microline 590/591 Service Training Kit

This kit was replaced by P/N 58229003.

Items in the training kit (except for the Printer Handbook) are **NOT** available separately.

Item	Okidata P/N Oki-J P/N	Description	Comments Refer to B.1.02	Disassembly Procedure
1 B	58229002 N/A	Kit: ML590/591 Service Training	Document Both	N/A
2 B	52062702 N/A	Label: Kit	Document	N/A

3 B	58088102 N/A	Read Me First	Document	N/A
4 B	59256302 N/A	Service Handbook	Document	N/A
5 B	59254703 N/A	Printer Handbook	Document	N/A
6 B	57519501 N/A	Service Videotape	Document	N/A
7 B	52062704 N/A	Label: Service Videotape Spine	Document	N/A
8 B	53570401 N/A	Sleeve: Videotape (Cardboard)	Document	N/A

P/N 58229003 Microline 590/591 Service Training Kit

This kit replaces P/N 58229002.

Items in the training kit (except for the Printer Handbook) are **NOT** available separately.

Item	Okidata P/N Oki-J P/N	Description	Comments Refer to B.1.02	Disassembly Procedure
1 C	58229003 N/A	Kit: ML590/591 Service Training	Document Both	N/A
2 C	52062706 N/A	Label: Kit	Document	N/A
3 C	58088103 N/A	Read Me First	Document	N/A
4 C	59256303 N/A	Service Handbook	Document	N/A
5 C	59254703 N/A	Printer Handbook	Document	N/A
6 C	57519502 N/A	Service Videotape	Document	N/A
7 C	52062704 N/A	Label: Service Videotape Spine	Document	N/A
8 C	53570401 N/A	Sleeve: Videotape (Cardboard)	Document	N/A