

This document was provided by

Compu*Direct*, Inc.

As a service to our customers.

If you received this file from anywhere other than

<http://www.printermalls.com>

please let us know at

info@printermalls.com



Service Guide ML390/ML391 Turbo

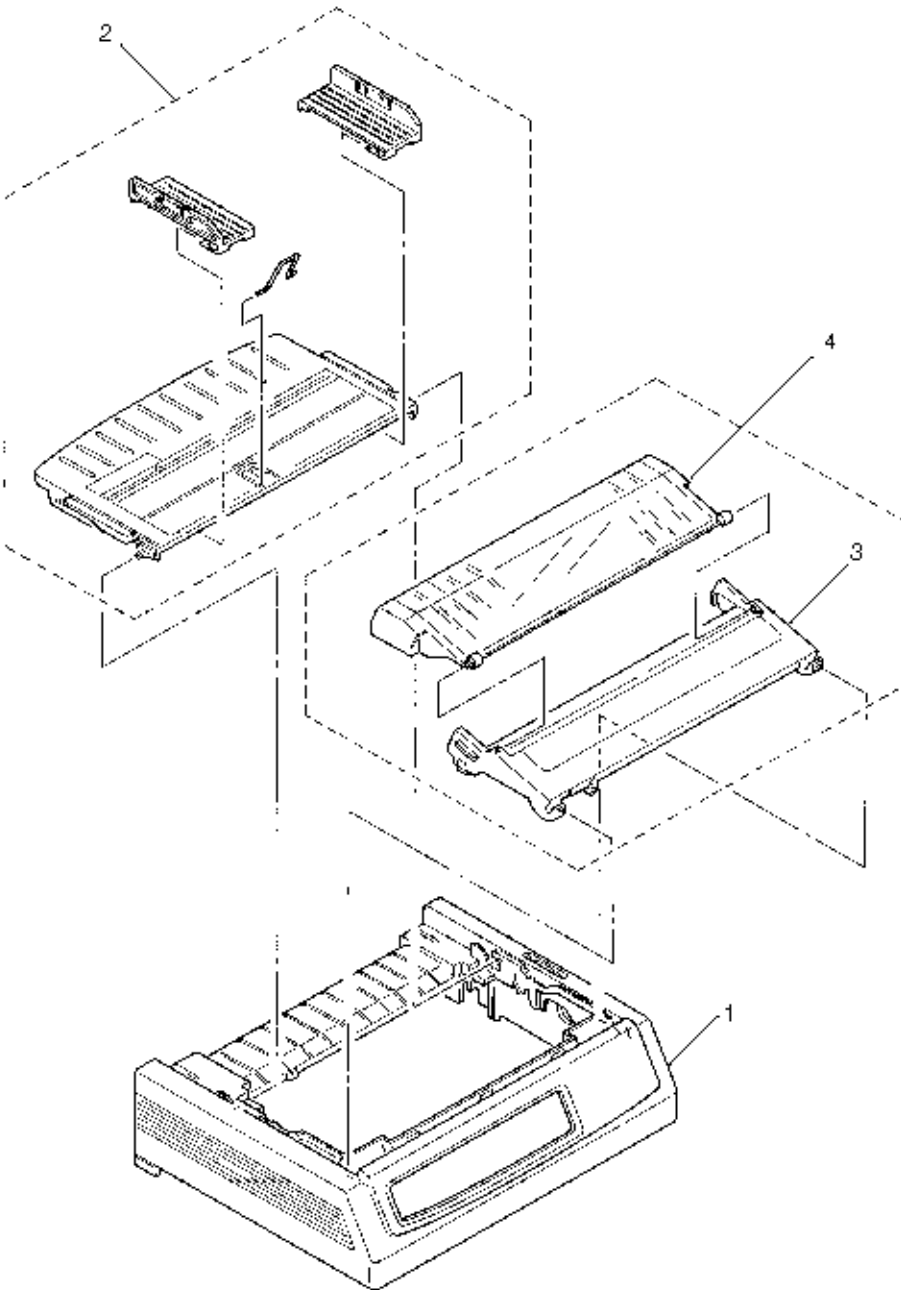
Chapter B Parts Listing

SPARE PARTS LIST

Quantity per year: Indicates the recommended number of each part that should be ordered for routine maintenance for one year for 500 units of printers and assuming that the printers are operated for 2 hours/day or 730 hours/year. The following codes are used to indicate the number of printers for which maintenance parts are ordered.

Copyright 1997, Okidata, Division of OKI America, Inc. All rights reserved. See the OKIDATA Business Partner Exchange (BPX) for any updates to this material. (<http://bpx.okidata.com>)

Upper Cover Assembly (Figure 11-1)

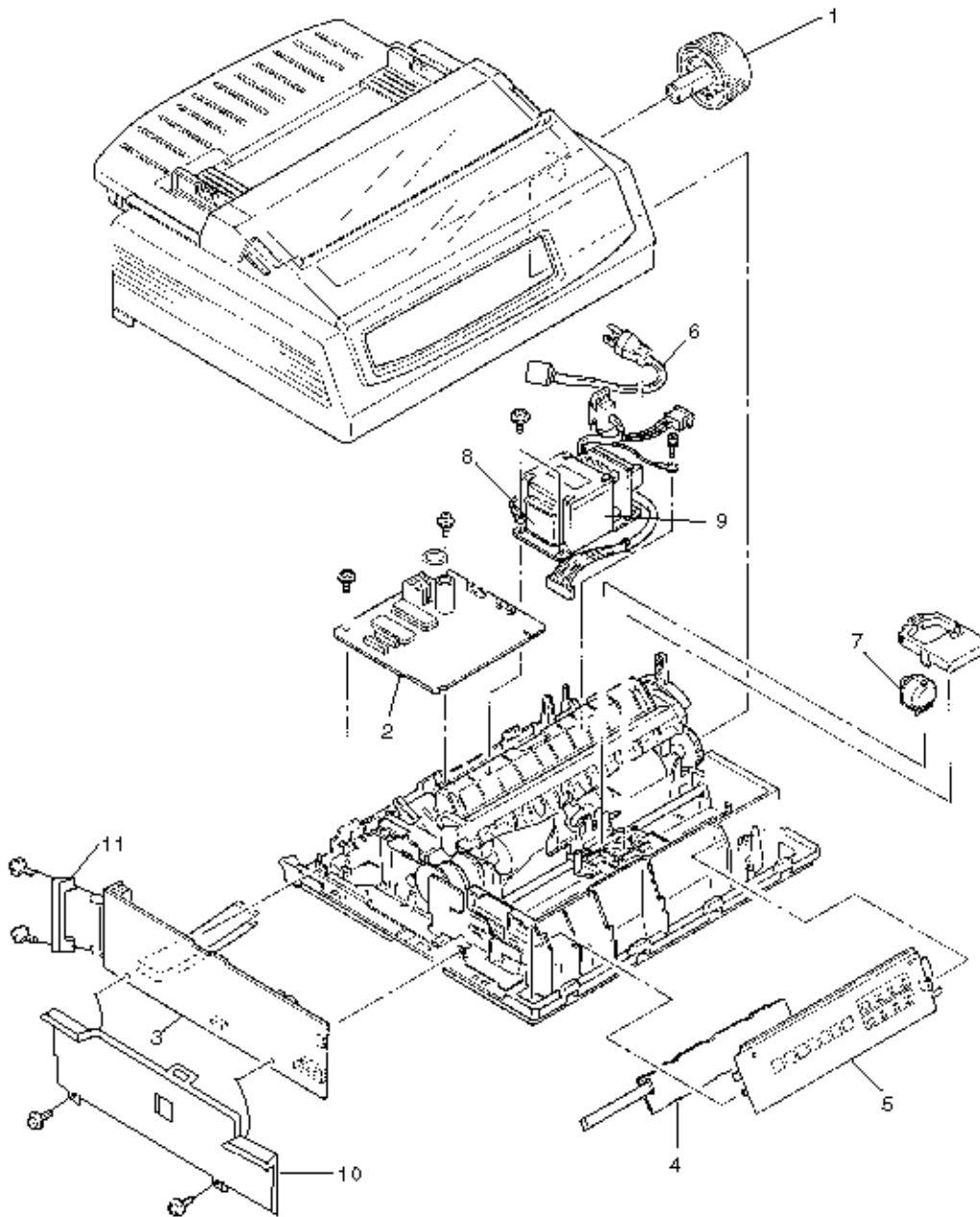


No.	Part No.	Description	Q'ty	Remarks	ODA#
1	1PP4128-1186P1	Cover: Upper (N)	1	For ML390 Turbo	53076501

	1PP4128-1231P1	Cover: Upper (W)	1	For ML391 Turbo	53076601
2	1PA4094-7305G10	Guide: Sheet Assy (N)	1	For ML390 Turbo	51009409
	1PA4094-7308G11	Guide: Sheet Assy (W)	1	For ML391 Turbo	51009510
3	2PA4128-1237G1	Cover: Access Assy (N)	1	For ML390 Turbo	53076701
	2PA4128-1241G1	Cover: Access Assy (W)	1	For ML391 Turbo	53076801
4	1PP4128-1188P1	Cover: Acoustic (N)	1	For ML390 Turbo	53076901
	1PP4128-1233P1	Cover: Acoustic (W)	1	For ML391 Turbo	53077001

Copyright 1997, Okidata, Division of OKI America, Inc. All rights reserved. See the OKIDATA Business Partner Exchange (BPX) for any updates to this material. (<http://bpx.okidata.com>)

Printer General Assembly (Figure 11-2)

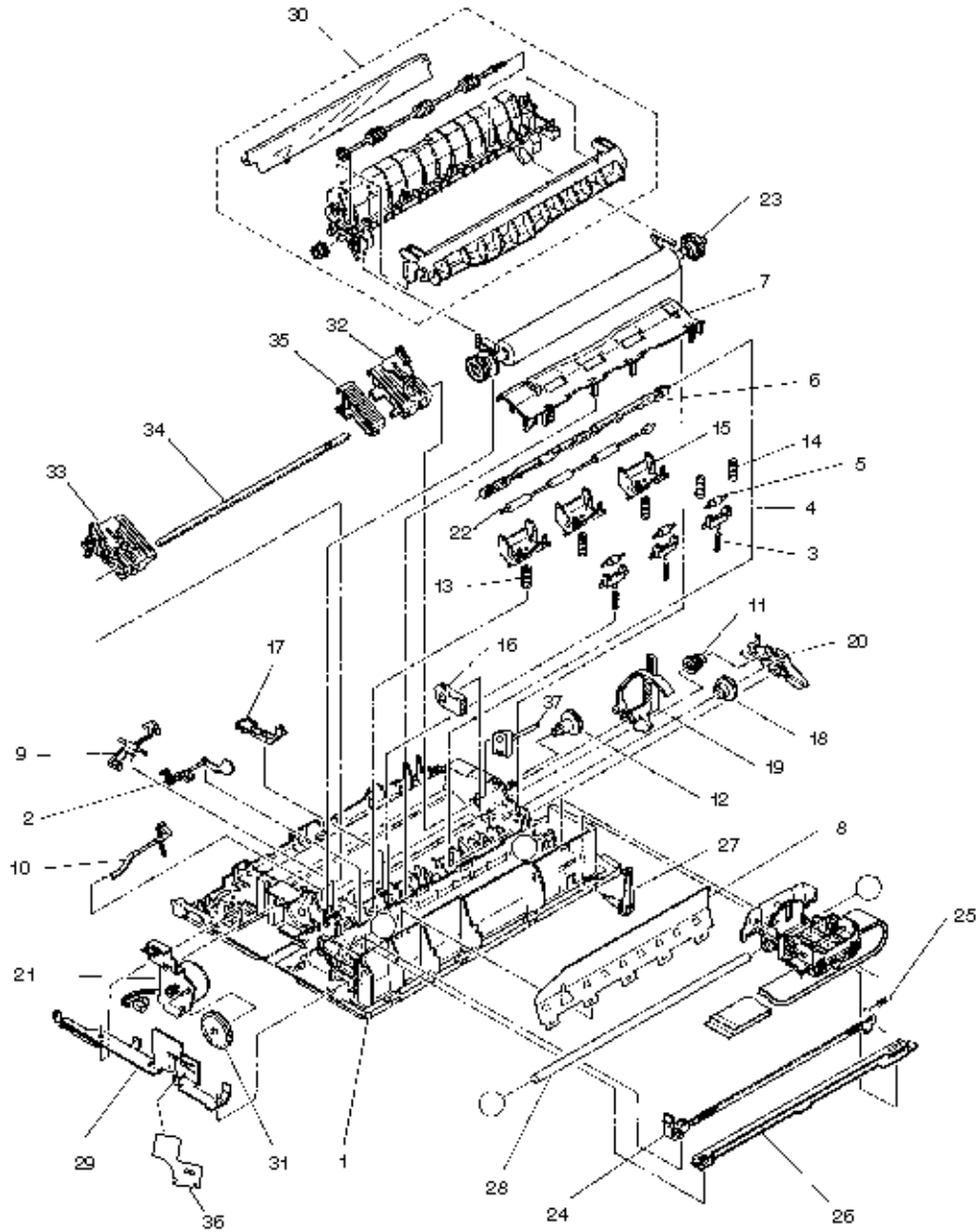


No.	Part No.	Description	Qty	Remarks	ODA#
1	3PP4025-2871P21	Knob: Platen	1		51902220

2	4YA4042-1545G301	PCB: SRXC (without ROM) (Control/Power supply)	1	Without ROM	55080901
3	4YA4042-1544G1	PCB: SRXD (without ROM) (Driver Board)	1	Without ROM	55081001
4	4YA4042-1516G4	PCB: LEOP-4	1		55081104
5	3PP4044-5360G2	Operator Panel Assembly	1		50221902
6		AC cord for 120V	1	for ODA	56631804
		AC cord for 220V	1		56631901
7	4YA4023-3101G1	Printhead (Assy) (24)	1		50114701
8	40085501	Fuse (125V 2.5A)	2	For 120V	40085501
	4YB4042-1551P1	Fuse (250V 1.25A)	1	For 230/240V	56307201
9	4YB4049-7105P1	(ML390 Turbo 120V)	1		56415501
	4YB4049-7106P1	Transformer (ML390 Turbo 230/240V)	1		56415601
	4YB4049-7105P2	Transformer (ML391 Turbo 120V)	1		56415502
	4YB4049-7106P2	Transformer (ML391 Turbo 230/240V)	1		56415602
10	3PB4050-3429P1	PCB plate	1		51022801
11	40045601	FG plate	1		51023501

Copyright 1997, Okidata, Division of OKI America, Inc. All rights reserved. See the OKIDATA Business Partner Exchange (BPX) for any updates to this material. (<http://bpx.okidata.com>)

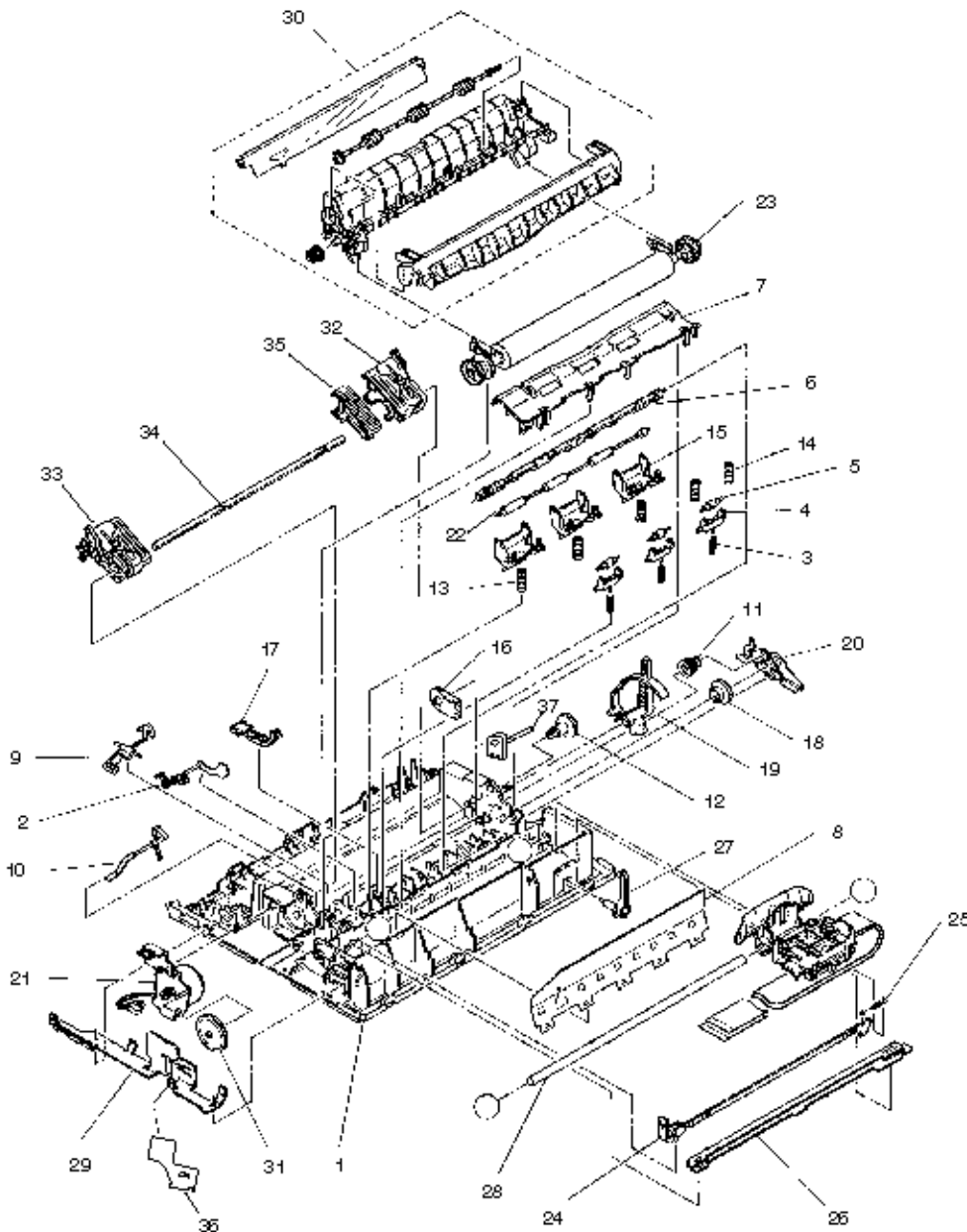
Printer Unit (Figure 11-3) [1 of 2]



No.	Part No.	Description	Qty	Remarks	ODA#
-----	----------	-------------	-----	---------	------

1	3PA4044-5002G2	Frame: Main Assy (N)	1	For ML390 Turbo	53348801
	3PA4044-5152G2	Frame: Main Assy (W)	1	For ML391 Turbo	53348901
2	3PP4044-5012P1	Lever: Bottom Paper End	1		50809201
3	4PP4044-5019P1	Spring: Pressure (F) N	3	For ML390 Turbo	50931301
	4PP4044-5019P2	Spring: Pressure (F) W	5	For ML391 Turbo	50931302
4	4PP4044-5031P1	Holder: Roller (F)	3	For ML390 Turbo	53349001
			5	For ML391 Turbo	53349001
5	4PA4025-3327G2	Roller: Front Pressure Assy	3	For ML390 Turbo	50410901
			5	For ML391 Turbo	50410901
6	3PP4044-5015P1	Shaft: Release (N)	1	For ML390 Turbo	51114001
	3PP4044-5157P1	Shaft: Release (W)	1	For ML391 Turbo	51114101
7	1PP4044-5021P1	Plate: Paper Pan (N)	1	For ML390 Turbo	53349201
	1PP4044-5158P1	Plate: Paper pan (W)	1	For ML391 Turbo	53349301
8	3PP4025-3320P2	Spring: Leaf (N)	1	For ML390 Turbo	50923002
	3PP4025-3507P2	Spring: Leaf (W)	1	For ML391 Turbo	50923102
9	3PP4044-5011P1	Lever: Paper End	1		50809301
10	3PP4044-5013P1	Lever: Sensor	1		50809401
11	4PP4025-3340P1	Gear: Change	1		51228001
12	3PP4025-3341P1	Gear: Tractor	1		51228101
13	4PP4044-5020P1	Spring: Pressure (R)	3	For ML390 Turbo	50931401
			3	For ML391 Turbo	50931401
14	4PP4044-5163P1	Spring: Pressure (W)	2	For ML391 Turbo	50931501
15	3PP4044-5033P1	Holder: Roller (R)	3	For ML390 Turbo	53349101
			5	For ML391 Turbo	53349101
16	4PP4044-5017P1	Arm: Change	1		50809701
17	3PP4044-5014P1	Lever: Switch	1		50809601
18	4PP4044-5024P1	Gear: Idle	1		51238501
19	2PP4044-5016P1	Lever: Change	1		50809501
20	3PP4044-5023P1	Spring: Reset	1		50931601
21	3PA4044-5110G2	Motor: LF (Assy)	1		56513602
22	3PP4044-5034P1	Roller: Rear pressure (N)	1	For ML390 Turbo	53349401
	3PP4044-5162P1	Roller: Rear pressure (W)	1	For ML391 Turbo	53349501

Printer Unit (Figure 11-3) [2 of 2]



No.	Part No.	Description	Q'ty	Remarks	ODA#
23	3PA4044-5025G2	Assembly: Platen (N)	1	For ML390 Turbo	50114801

	3PA4044-5159G2	Assembly: Platen (W)	1	For ML391 Turbo	50114901
24	3PP4044-5010P1	Rack: Space (N)	1	For ML390 Turbo	53349601
	3PP4044-5156P1	Rack: Space (W)	1	For ML391 Turbo	53349701
25	4PB4025-3377P2	Spring:Tension(SpaceRack)	1		50923502
26	3PP4044-5008P1	Plate: Guide Rail (N)	1	For ML390 Turbo	51022201
	3PP4044-5155P1	Plate: Guide Rail (W)	1	For ML391 Turbo	51022301
27	3PP4025-2810P2	Cam: Adjust	1		51238601
28	4PP4044-5009P1	Shaft: Carriage (N)	1	For ML390 Turbo	51114201
	4PP4044-5009P2	Shaft: Carriage (W)	1	For ML391 Turbo	51114202
29	3PP4044-5005P1	Plate: FG (L)	1		51022401
30	3PA4044-5050G2	Roller: Pull-up Assy (N)	1	For ML390 Turbo	50411002
	3PA4044-5165G2	Roller: Pull-up Assy (W)		For ML391 Turbo	50411102
31	4PP4044-5116P1	Gear: Idle (LF Motor)(24)	1		51238701
32	4PA4044-5041G2	Frame: Tractor Assy (R)	1		53350302
33	4PA4044-5043G2	Frame: Tractor Assy (L)	1		53350202
34	4PP4025-3335P3	Shaft: Drive	1	For ML390 Turbo	51114403
	4PP4025-3335P4	Shaft: Drive	1	For ML391 Turbo	51114404
35	3PP4044-5046P1	Guide: Tractor Sheet	1	For ML391 Turbo	51022901
36	4PB4044-5095P1	Plate: FG (A)	1		51622701
37	3PP4044-5089P1	Shaft: Change Gear	1		51114301

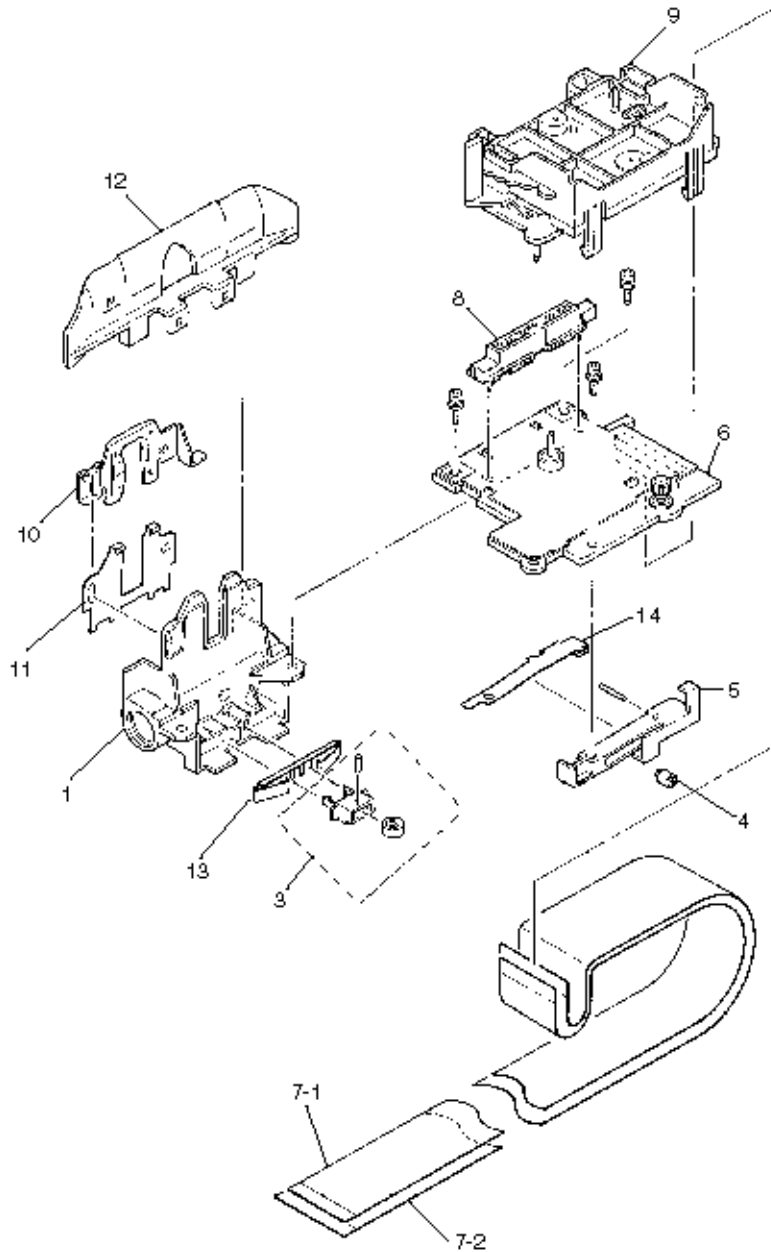
Copyright 1997, Okidata, Division of OKI America, Inc. All rights reserved. See the OKIDATA Business Partner Exchange (BPX) for any updates to this material. (<http://bpx.okidata.com>)



Service Guide ML390/ML391Turbo

Chapter B Parts Listing

Carriage Option Assembly (Figure 11-4)



No.	Part No.	Description	Qty	ODA #
1	4PP4044-5061G1	Frame: Carriage	1	53349801
2				

3	4PA4025-3718G1	Assy: Backup Roller/Holder	1		53343201
4	4PP4025-3398P1	Roller: Guide			53341901
5	3PP4044-5065P1	Holder: Guide Roller			53350101
6	4YA4044-5120G1	Motor: Space (Assy) (24)	1		56513701
7	3PP4044-5015P1	Cable: Printhead (24N)	1	For ML390 Turbo	56634001
	3PP4044-5157P1	Cable: Printhead (24W)	1	For ML391 Turbo	56634101
8	3PB4025-1241P1	PC connector (36/40)	1		56719201
9	3PA4044-5070G1	Gear: Case (Assy)	1		51238801
10	3PP4044-5068P1	Clamp: Printhead	1		50709001
11	4PP4044-5067P1	Plate: Printhead	1		51022501
12	3PP4044-5064P1	Protector: Ribbon	1		53077101
13	4PP4025-3397P2	Spring: Backup Roller Holder	1		50925001
14	4PP4044-5066P1	Spring: Guide Roller Holder	1		50931801

Copyright 1997, Okidata, Division of OKI America, Inc. All rights reserved. See the OKIDATA Business Partner Exchange (BPX) for any updates to this material. (<http://bpx.okidata.com>)

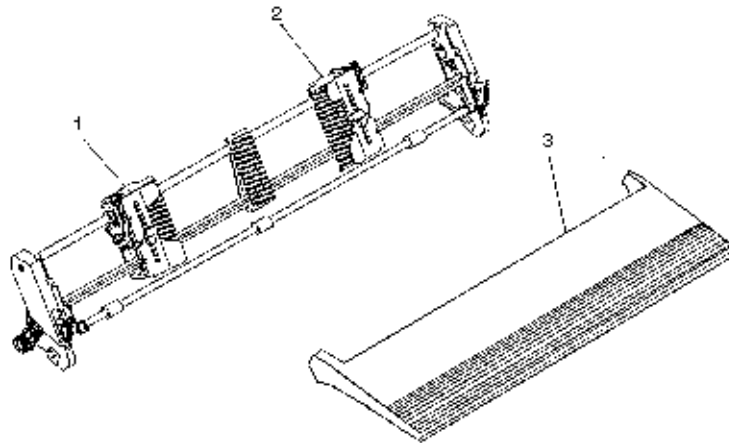


Service Guide ML390/ML391Turbo

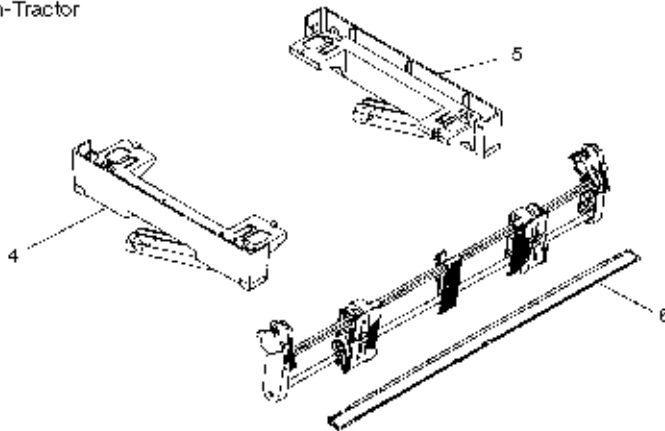
Chapter B Parts Listing

Option Spare Parts (Figure 11-5)

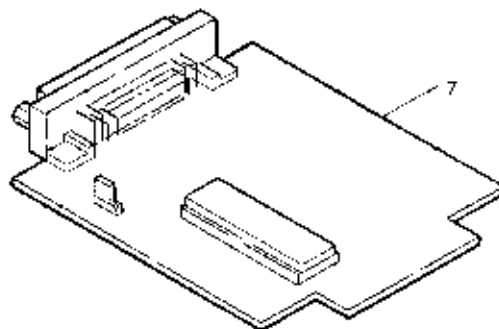
Pull-Tractor



Bottom-Tractor



I/F Board



No.	Part No.	Description	Qty	Remarks	ODA#
-----	----------	-------------	-----	---------	------

1	4PA4025-3608 G1	Tractor: Pull & Bottom (Assy) (L)	1		50098001
2	4PA4025-3603 G1	Tractor: Pull & Bottom (Assy) (R)	1		50097901
3	2PP4128-1239 G1	Cover: Tractor Assy (N)	1	For ML390 Turbo	53077201
	2PP4128-1243 G1	Cover: Tractor Assy (W)	1	For ML391 Turbo	53077301
4	1PA4128-1277 G1	Stand: Bottom Push (L)	1		51902301
5	1PA4128-1277 G2	Stand: Bottom Push (R)	1		51902302
6	4PP4094-7385 G1	Knife: Paper (N)	1	For ML390 Turbo	50098701
	4PP4094-7386 G1	Knife: Paper (W)	1	For ML391 Turbo	50098801
7	4YA4021-1050 G1	PCB: LXHI (RS232 I/F)	1		55038901

Copyright 1997, Okidata, Division of OKI America, Inc. All rights reserved. See the OKIDATA Business Partner Exchange (BPX) for any updates to this material. (<http://bpx.okidata.com>)